

# Hawle Haku PE Pipe Saddle

Technical Guide W9.1

Specifically designed as a mechanical connection for metric PE and PVC pressure watermain pipelines. Ideal for hydrant and air valve installations.



## Applications

Lateral connections to metric PE and PVC pressure watermain pipelines

## Product Attributes

Ductile iron epoxy powder coated

Stainless steel bolts, nuts and washers for assured quality

The drilled hole is sealed by an 'O' ring

Flanged or BSP outlets

## Approvals/Standards

Approved AS/NZS 4129 fittings for polyethylene (PE) pipes for pressure applications

WSAA appraised

Flanges to AS4087

## Quality

ISO 9001:2008 Quality Management System

*We are the supply partner of choice for New Zealand's civil construction industry, specialising in water and infrastructure based solutions.*

## Haku Pipe Saddle with Threaded BSP Outlet

HAKU saddles provide the best method for sealing offtakes and outlets on metric PE and PVC pressure watermain pipe. The HAKU seal is in full contact with the entire diameter of the PE pipe and is glued onto the saddle for ease of assembly. In addition several concentric seals with increasing diameter surround the outlet thus relieving the pressure upon the drill hole and protecting it from deformation.

### Material

- **Ø40:** EN-GJL-250 (GG 250) to EN 1561, epoxy powder coated
- **Ø50 - 500:** EN-GJS-400-15/18 (GGG 400) to EN 1563 epoxy powder coated
- **Rubber seals:** Elastomer, suitable for potable water
- **Bolts and washers:** Stainless steel – A4

Watermark appraised



TABLE 1

Pipe Ø mm	Internal threaded outlet			
	1"	1¼"	1½"	2"
40	•			
50	•			
63	•	•	•	•
75	•	•	•	•
90	•	•	•	•
110	•	•	•	•
125	•	•	•	•
140	•	•	•	•
160	•	•	•	•
180	•	•	•	•
200	•	•	•	•
225	•	•	•	•
250	•	•	•	•
280				•
280*	•	•	•	•
315				•
315*		•	•	•
355				•
400*			•	•
450*			•	•
500*			•	•

**Note:** \*supplied as saddle piece with strap.

**Caution:** When being used on PE pipes, this type is suitable on class SDR 11 and higher qualities, only



FIG. 1



FIG. 2

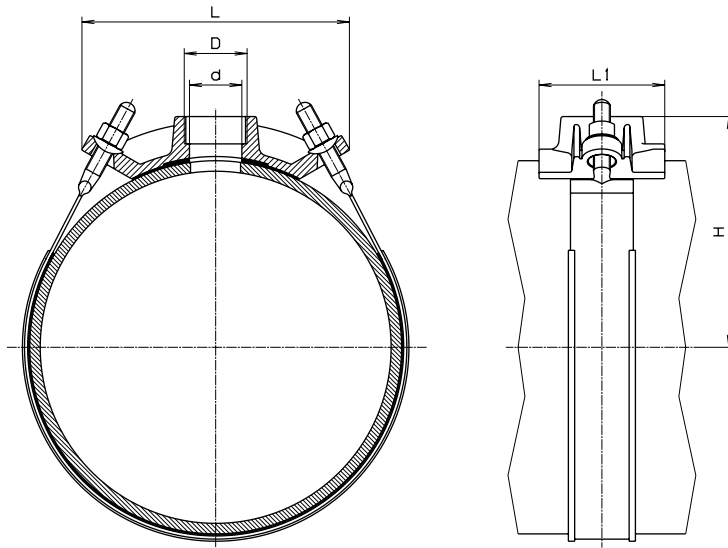


FIG. 4

Note: \* Pipe  $\varnothing$  mm 280 – 500 (supplied as saddle piece with strap) Caution:  
When being used on PE pipes, this type is suitable on class SDR 11 and higher  
qualities, only

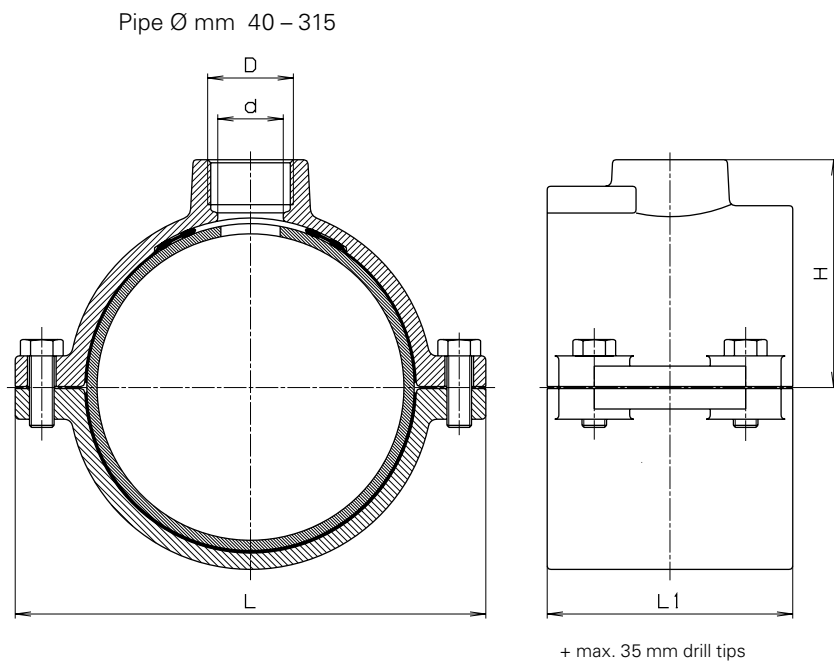


FIG. 3

**TABLE 2 Haku Pipe Saddle with Threaded BSP Outlet- No. 5250**

Hygrade Code	Pipe Ø (mm)	D ISO 228	d Ø	H	L	L 1	Weight (kg)
	40	1"	27	42	98	70	0.95
	50	1"	27	56	124	100	1.2
TS6325BSPF-C		1"	27	57			1.8
	63	1¼"	33	62	124	100	2
TS6340BSPF-C		1½"	40	62			1.9
		2"	40+	68			2.1
	75	1"	27	63	135	110	2.15
		1¼"	33	68			2.25
		1½"	40	68			2.2
		2"	50	73			2.3
	90	1"	27	71	150	110	2.6
		1¼"	33	75			2.7
		1½"	40	75			2.6
TS9050BSPF-C		2"	50	80			2.7
TS11025BSPF-C		1"	27	81			3.6
TS11032BSPF-C	110	1¼"	33	85	170	120	3.6
TS11040BSPF-C		1½"	40	85			3.8
TS11050BSPF-C		2"	50	90			3.6
TS12525BSPF-C		1"	27	87			3.7
TS12532BSPF-C	125	1¼"	33	93	192	120	3.7
TS12540BSPF-C		1½"	40	93			4.15
TS12550BSPF-C		2"	50	98			4.1
	140	1"	27	96	208	120	4.4
		1¼"	33	100			4.3
		1½"	40	100			4.6
TS14050BSPF-C		2"	50	106			4.5
TS16025BSPF-C		1"	27	106			5.9
TS16032BSPF-C	160	1¼"	33	111	230	120	6.1
TS16040BSPF-C		1½"	40	111			6.3
TS16050BSPF-C		2"	50	116			6.2
TS18025BSPF-C		1"	27	125			8
TS18032BSPF-C	180	1¼"	33	125	262	120	8
TS18040BSPF-C		1½"	40	127			8.1
TS18050BSPF-C		2"	50	27			8.1

**TABLE 2 Haku Pipe Saddle with Threaded BSP Outlet- No. 5250**

Hygrade Code	Pipe Ø (mm)	D ISO 228	d Ø	H	L	L 1	Weight (kg)
TS20025BSPF-C		1"	30	132			8.1
	200	1¼"	33	132	282	12	7.8
		1½"	40	137			8.3
TS20050BSPF-C		2"	50	137			8.1
	225	1"	27	143	310	120	9.1
		1¼"	33	145			9.4
TS22540BSPF-C		1½"	40	145			9.7
TS22550BSPF-C		2"	50	150			9.6
TS25025BSPF-C	250	1"	27	156	347	180	11
		1¼"	33	156			11.3
		1½"	40	163			11.5
TS25050BSPF-C		2"	50	163			12
TS28050BSPF-C	280	2"	51	178	377	180	14.2
TS31550BSPF-C	315	2"	51	196	408	180	16.7

**TABLE 3 Haku Pipe Saddle Strap with Threaded BSP Outlet- No. 5250**

Hygrade Code	Pipe Ø (mm)	D ISO 228	d Ø	H	L	L 1	Weight (kg)
TS25025STBSPF-C	250	1"	27	156	347	180	11
TS25050STBSPF-C	250	2"	50	163	347	180	12
	280	1"	27	176	204	120	3.8
	280	1¼"	38	176	204	120	3.6
	280	1½"	44	176	204	120	3.6
	280	2"	50	176	204	120	3.3
TS31525STBSPF-C	315	1"	27	194	200	120	3.58
TS31540STBSPF-C	315	1½"	44	196	200	120	3.75
TS31550STBSPF-C	315	2"	50	196	200	120	3.55
TS35550STBSPF-C	355	2"	50	220	270	120	3.5
	400	1½"	40	243	270	120	4.6
TS40050STBSPF-C	400	2"	50	243	270	120	4.6
	450	1½"	40	268	235	120	4.6
TS45050STBSPF-C	450	2"	50	268	235	120	4.6
	500	1½"*	40	292	255	120	4.9
TS50050STBSPF-C	500	2"	50	292	255	120	4.9
TS63050STBSPF-C	630	2"	50	342	255	120	9.5

= Available on Indent order only

# Haku Pipe Saddle with Flanged Outlets

For metric PE and PVC pressure watermain pipelines.

Watermark appraised



## Features

- Solid construction of ductile iron, epoxy powder coated
- Bolts, nuts and washers of stainless steel
- The drilled hole is sealed by an 'O' ring inserted in the upper part of saddle (Ø630, 2 'O' rings)
- The rubber linings are bonded to the lower part of saddle – this ensures positive positioning of saddle – (only Ø110-315)

## Material

- Saddle body:
  - Ductile iron EN-GJS-400-18 according to EN 1563 (GGG 400 – DIN 1693)
  - Epoxy powder coated
- Rubber-in the lower part:
  - Elastomer
- 'O' ring seal-in the bonnet:
  - Elastomer, (suitable for potable water)
- Bolts, Nuts and Washers:
  - Stainless steel – A2
- Nuts:
  - Molybdenum coated



FIG. 5



FIG. 6

TABLE 4

Flange Size	Dimensions												
	110	140	160	180	200	225	250	280	315	355	450	500	630
80	•	•	•	•	•	•	•		•				
100		•	•	•	•	•							
150									•	•	•	•	•

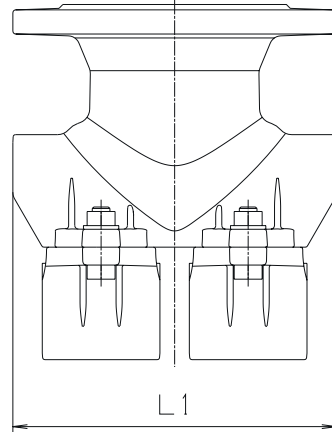
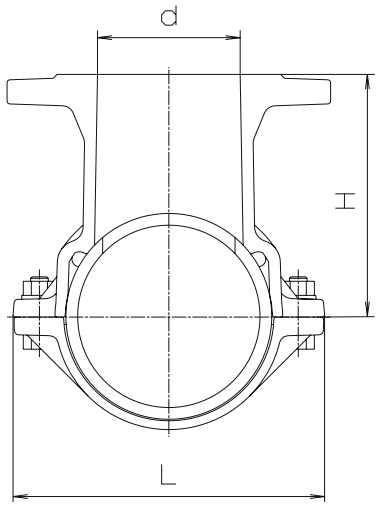


FIG. 7

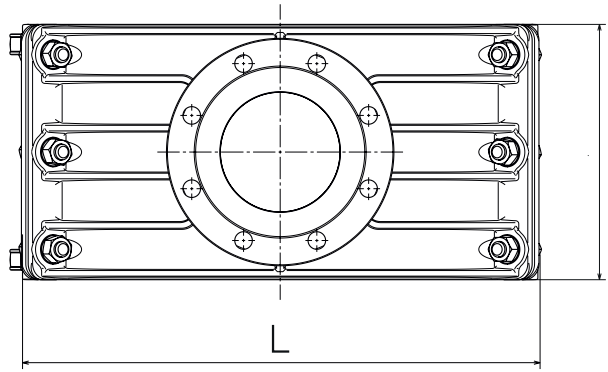
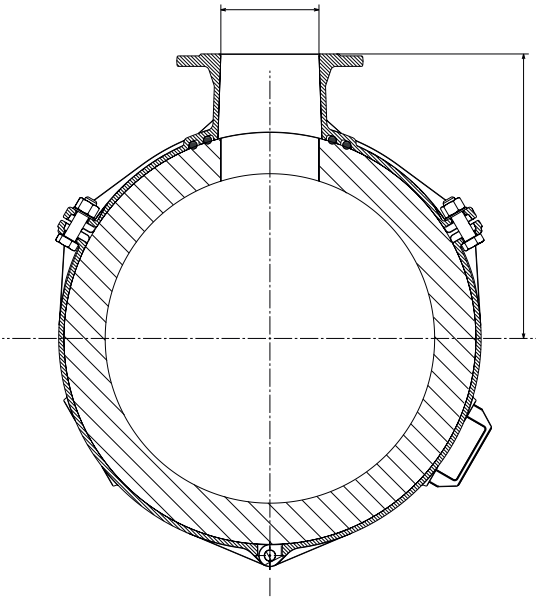







FIG. 8

**TABLE 5 Haku Pipe Saddle with Flanged Outlets- No. 5230**

Hygrade Code	Pipe Ø (mm)	Flange DN	d Ø	H	L	L1	Weight (kg)
	110	80	80	150	182	180	8.3
TS12580TD-C	125	80	80	159	197	220	8.4
TS125100TD-C		100	100	159	197	220	9.4
	140	80	80	166	212	220	10.2
		100	100	166	212	220	10.9
	160	80	80	176	234	220	10.1
TS160100TD-C		100	100	176	234	220	11
TS18080TD-C	180	80	80	186	254	220	9
TS180100TD-C		100	100	186	254	220	12.2
TS20080TD-C	200	80	80	191	270	220	11.8
TS200100TD-C		100	100	191	270	220	13.8
TS22580TD-C	225	80	80	206	301	220	14
TS225100TD-C		100	100	206	301	220	16
TS25080TD-C	250	80	80	221	347	220	14.7
TS250150TD-C		150	150	225	342	285	19.3
TS280150TD-C	280	150	150	239	374	285	21
TS31580TD-C		80	80	225	410	285	20
TS315150TD-C	315	150	150	257	409	285	24.5
TS355150TD-C		150	150	298	460	320	36.2
TS450150TD-C	450	150	150	345	475	320	42
TS500150TD-C		150	150	370	520	320	45.2
TS630150TD-C	630	150	150	435	649	320	55

 = Available on Indent order only

**TABLE 6 Haku Shut-off Saddle- No. 3800**

Hygrade Code	Pipe Ø (mm)	G ISO 228	H	Weight (kg)
TSSO12550BSPF-C	125	2"	78	3
TSSO17550BSPF-C	175	2"	81	4.2
TSSO20050BSPF-C	200	2"	81	4.6

**TABLE 7 Haku Tapping Saddle Shut-Off Blade**

Hygrade Code	Size (mm)
TSSOBLADE4050	40-50

**TABLE 8 Haku Saddle Strap- No. 3111**

Hygrade Code	DN	Ø Diameter range of strap	L
TSSOSTRAP520	125	132-158	520
TSSOSTRAP685	175	185-210	685
TSSOSTRAP760	200	210-235	760

**Branches Nationwide** *Support Office & Technical Services 0800 93 7473*

**Disclaimer:** While every effort has been made to ensure that the information in this document is correct and accurate, users of Hynds product or information within this document must make their own assessment of suitability for their particular application. Product dimensions are nominal only, and should be verified if critical to a particular installation. No warranty is either expressed, implied, or statutory made by Hynds unless expressly stated in any sale and purchase agreement entered into between Hynds and the user.