

One Piece Ball Valve

Technical Guide W4.23

Low cost 316 Stainless Steel Ball Valve



11.22 | W4.23 1 PIECE BALL VALVE

Applications

Chemical dosing

Water treatment

General service

Product Attributes

Compact

Lockable handle

All 316 SS construction

Blow out proof stem

Quality

ISO 9001:2008 Quality

Management Standard

We are the supply partner of choice for New Zealand's civil construction industry, specialising in water and infrastructure based solutions.

HYNDSwater

Investment cast stainless steel ball valve, screwed end reduced bore.

Features

- SS316 body and ball
- Reduced bore
- Threaded BSP
- Internal entry blow-out proof stem
- Lever handle with locking device

Technical Data

- Size Range: DN8 - DN50 (1/4" - 2")
- Pressure Rating: 1000PSI W.O.G
- Pressure Test: API598

TABLE 1 Material specifications and part list

No.	Description	Material
1	Body	CF8M
2	Cap	CF8M
3	Stem	SS316
4	Ball	CF8M
5	Seat	PTFE
6	Joint Gasket	PTFE
7	Thrust Washer	PTFE
8	Stem Packing	PTFE
9	Washer	SS304
10	Spring Washer	SS304
11	Stem Nut	SS304
12	Locking Device	SS304
13	Handle	SS304
14	Handle Sleeve	Plastic

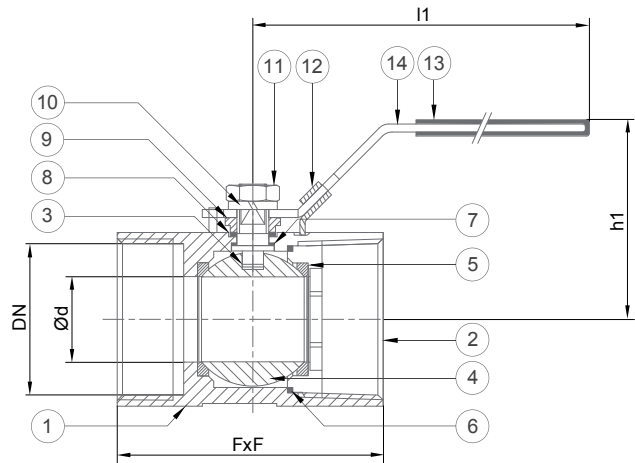


FIG. 1

TABLE 2 V1 DN8 - DN50

DN	NPS	FxF	Ød	h1	I1	CV Factor	Torque (N.m)	Weight (Kg)
8	1/4"	40	5	33	67	4	13.83	0.06
10	"	45	7	36	67	4	67	0.10
15	1/2"	58	9	37	93	4.5	93	0.16
20	3/4"	60	12.5	42	93	9	20.75	0.26
25	1"	71	16	52	103	16	41.49	0.38
32	1 1/4"	78	20	56	103	24	62.24	0.61
40	1 1/2"	82.5	25	65	125	37	82.98	0.85
50	2"	100	32	90	125	68	96.81	1.40

Dimensions (mm)

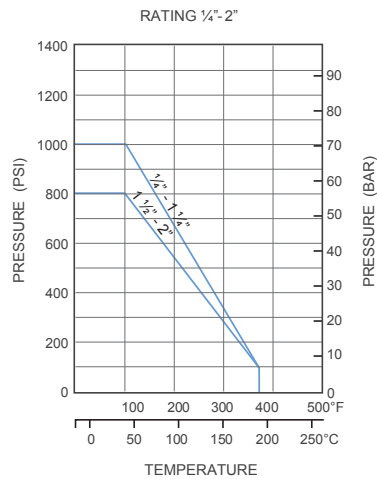


TABLE 3

Branches Nationwide Support Office & Technical Services 0800 93 7473

Disclaimer: While every effort has been made to ensure that the information in this document is correct and accurate, users of Hynds product or information within this document must make their own assessment of suitability for their particular application. Product dimensions are nominal only, and should be verified if critical to a particular installation. No warranty is either expressed, implied, or statutory made by Hynds unless expressly stated in any sale and purchase agreement entered into between Hynds and the user.