

Three piece Ball Valve

Technical Guide W4.11

Three piece 316 Stainless Steel Ball Valve with ISO 5211 direct mount for actuation.



2020 | PRESSURE SYSTEMS | W4.11 HYDROTITE FULL BORE BALL VALVE DIRECT MOUNT

Applications

Chemical service

Water treatment

Waste water treatment

Product Attributes

Three piece

All 316 SS or CF8M

Lockable handle

Full bore

Blow out proof stem

Approvals/Standards

ISO 5211 Mount

Quality

ISO 9001:2008 Quality

Management Standard

We are the supply partner of choice for New Zealand's civil construction industry, specialising in water and infrastructure based solutions.

Technical Information

- Size Range: DN8 - DN100 (1/4" - 4")
- Pressure Rating at 1000PSI W.O.G
- Pressure Test: API598

Features

- SS316 body, cap and ball
- Full bore
- Threaded BSP
- Quality investment cast body and cap
- Internal entry blow-out proof stem
- Lever handle with locking device

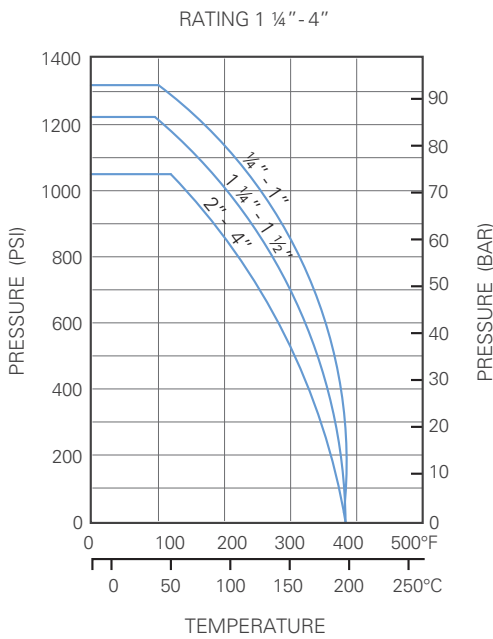


TABLE 2



FIG. 1

TABLE 1

V3MH DN8 - DN100							ISO 5211 Top Flange					Optional Socket & Butt weld					
DN	NPS	FxF	h1	h2	h3	l1	Flange No.	n-Øm	ØM1	M3	CV Factor	Torque (N.m)	Weight (kg)	Ød1	Ød2	Ød3	l2
8	1/4"	63.5	73	37	8.5	112	F03/04	4-6	36/42	9	8	7.7	0.6	14	11	14	10
10	3/8"	63.5	73	37	8.5	112	F03/04	4-6	36/42	9	14	7.7	0.6	17	13	18	10
15	1/2"	63.5	73	37	8.5	112	F03/04	4-6	36/42	9	26	7.7	0.6	21	16	22	10
20	3/4"	72.5	80.8	45	8.5	112	F03/04	4-6	36/42	9	51	15.5	0.7	27	21	27	13
25	1"	81	90.5	53.5	11.4	136	F04/05	4-6/7	42/50	11	68	21	1.0	33	27	34	13
32	1 1/4"	94.5	98.7	59.3	11.4	185	F04/05	4-6/7	42/50	11	120	20	1.6	42	35	43	13
40	1 1/2"	108	115.3	74.8	14	198	F05/07	4-7/9	50/70	14	170	39	2.5	48	41	49	13
50	2"	121.5	124	83.5	13.7	198	F05/07	4-7/9	50/70	14	376	70	3.4	60	53	61	16
65	2 1/2"	157.5	155	108.8	18	264	F07/10	4-9/11	70/102	17	510	89	6.4	73	63	77	16
80	3"	190	208.5	118.3	18	264	F07/10	4-9/11	70/102	17	996	116	11.2	89	78	90	16
100	4"	225	216.7	153.8	23	325	F10/12	4-9/11	102/125	22	1893	300	22	114	102	115	22

TABLE 3

No.	Description	Material
1	Body	CF8M
2	Ball	CF8M
3	Stem	SS316
4	End Cap	CF8M
5	Seat	RTFEw
6	Thrust Washer	RTFE
7	Stem Packing	RTFE
8	Gland Bush	SS304
9	Handle	SS304
10	Handle Sleeve	VINYL GRIP
11	Stem Nut	SS304
12	Handle Nut	SS304
13	Locking Pad	SS304
14	Belleville Washer	SS304-CSP
15	Tab Washer	SS304
16	O-Ring	VITON
17	Packing Follower	PTFE+25%G.F.
18	Body Bolt	SS304
19	Bolt Washer	SS304
20	Bolt Nut	SS304

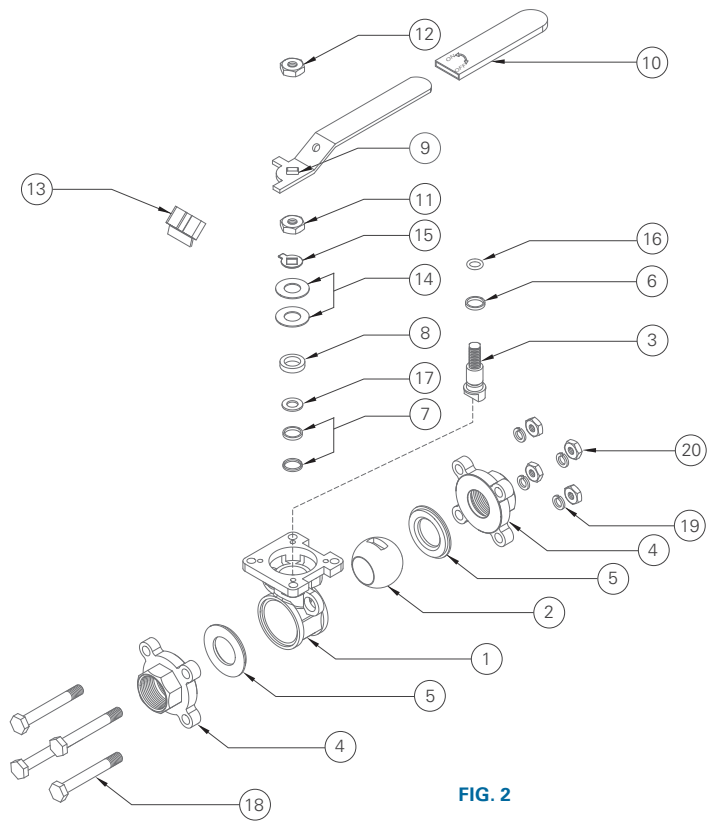


FIG. 2

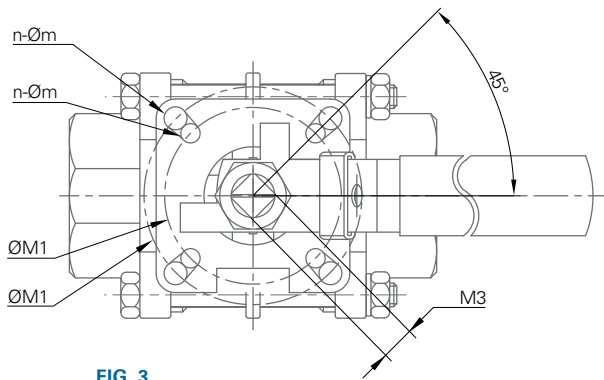


FIG. 3

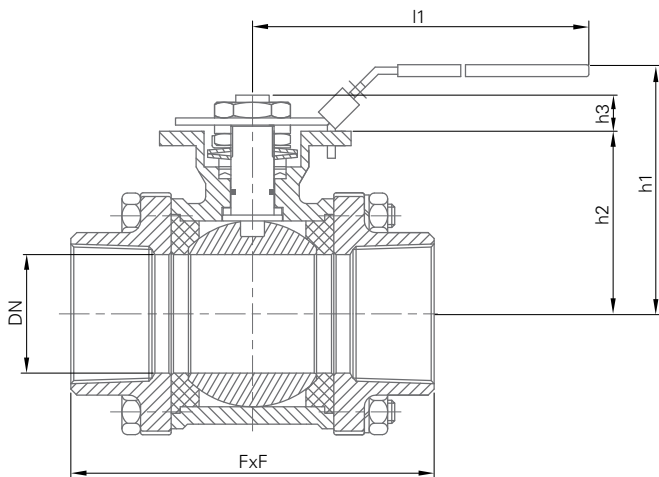


FIG. 4

BUTT WELD END (OPTIONAL)

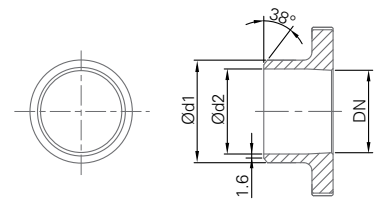


FIG. 5

SOCKET WELD END (OPTIONAL)

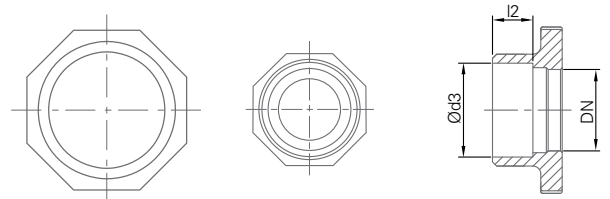


FIG. 6

Branches Nationwide *Support Office & Technical Services 09 274 0316*

Disclaimer: While every effort has been made to ensure that the information in this document is correct and accurate, users of Hynds product or information within this document must make their own assessment of suitability for their particular application. Product dimensions are nominal only, and should be verified if critical to a particular installation. No warranty is either expressed, implied, or statutory made by Hynds unless expressly stated in any sale and purchase agreement entered into between Hynds and the user.