

Hynds Effluent Wedge

Technical Guide R3.7

The Hynds Effluent Wedge is a versatile one piece construction with a range of sizes available to suit varying applications.



Applications

- Dairy effluent
- Industrial effluent
- Stonetrap

Product Attributes

- Strong and durable
- Manufactured from precast reinforced concrete
- Easy installation
- Thick robust Floor and Back Wall

Approvals/Standards

NZS 3109, Concrete Construction

Quality

ISO 9001:2008 Quality Management Standard

We are the supply partner of choice for New Zealand's rural industry, specialising in water and infrastructure based solutions.



The Hynds Effluent Wedge is a versatile construction with a range of sizes available to suit varying applications.

TABLE 1 Product Range

Code	Description	A (mm)	B (mm)	Weight (Ton)
EFFW2.1	Effluent Wedge 2.1m Wide	2300	2100	2.90
EFFW2.8	Effluent Wedge 2.8m Wide	3000	2800	3.66
EFFW3.1	Effluent Wedge 3.1m Wide	3300	3100	4.00

R3.7 HYNDS EFFLUENT WEDGE | RURAL | PG 2

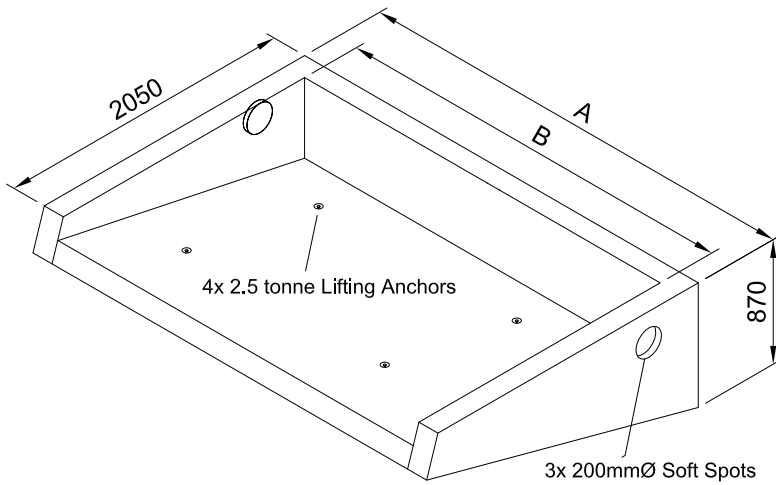


FIG. 1 Effluent Wedge EFFW2.1 to 3.1

Branches Nationwide Support Office & Technical Services 09 274 0316

Disclaimer: While every effort has been made to ensure that the information in this document is correct and accurate, users of Hynds product or information within this document must make their own assessment of suitability for their particular application. Product dimensions are nominal only, and should be verified if critical to a particular installation. No warranty is either expressed, implied, or statutory made by Hynds unless expressly stated in any sale and purchase agreement entered into between Hynds and the user.