

Laylite Culverts and Fluming

Technical Guide R2.4

Laylite is a sturdy drainage piping system manufactured from 100% recycled material, designed to withstand varying weather conditions and built to last.



05.25 | RURAL | R2.4 LAYLITE CULVERTS AND FLUMING

Applications

- Culverts
- Channelling surface water
- Roading
- Forestry
- Rural

Product Attributes

- Lightweight but strong
- Durable and flexible
- Climate resistant
- Cost effective
- Environmentally friendly
- Easy transportation and installation

Quality/Environment/Health & Safety

Hynds holds certification for ISO 9001, 45001, and 14001

Laylite is a sturdy drainage piping system manufactured from 100% recycled material, designed to withstand varying weather conditions and built to last.

Design Specifications

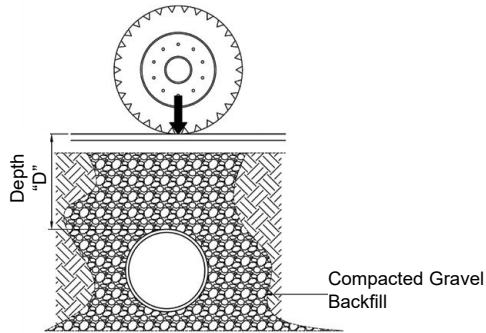
- Manufactured from polyethylene – a much lighter option than concrete or galvanised metal (a 6.6 m length of Laylite pipe only weighs 63 kg).
- Corrugated profile using optimum angle of 60°
- 408 mm and 600 mm internal diameter pipe and flume.
- Corrosion resistant – unaffected by galvanic or stray current corrosion.



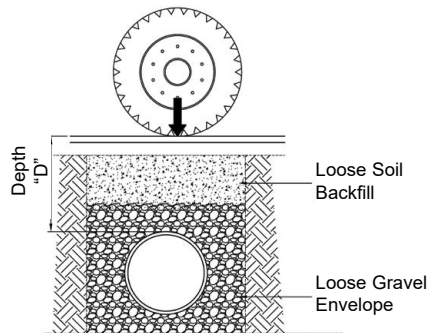
Product Code	Description
LP400.3700	400 mm diameter x 3.7 m
LP400.6600	400 mm diameter x 6.6 m
LP400.3700F	400 mm diameter x 3.7 m fluming
LP600.3800	600 mm diameter x 3.8 m
LP600.3800F	600 mm diameter x 3.8 m fluming

Installation

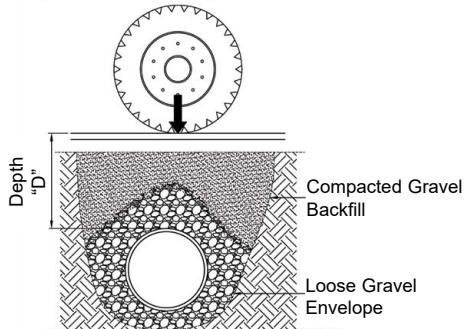
A - DENSE GRAVEL



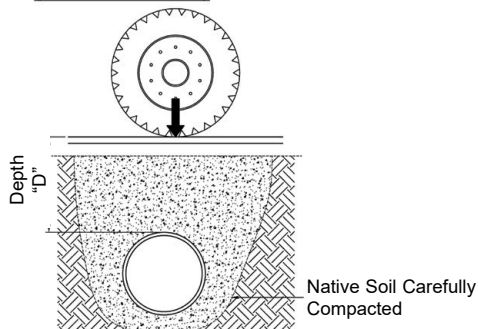
B - TRENCH



C - OPEN DITCH (EMBANKMENT)



D - OPEN DITCH (EMBANKMENT)



Description	a	b	c	d
-------------	---	---	---	---

Application 408 id

Min cover 'd'	410 mm	510 mm	680 mm	680 mm
Max cover 'd'	40 m	40 m	40 m	40 m

Application 408 id

Min cover 'd'	650 mm	790 mm	1000 mm	1000 mm
Max Cover 'd'	29 m	29 m	29 m	29 m



FIG. 1 Laylite Culvert withstanding weight of various heavy vehicles

Branches Nationwide *Support Office & Technical Services 09 274 0316*

Disclaimer: While every effort has been made to ensure that the information in this document is correct and accurate, users of Hynds product or information within this document must make their own assessment of suitability for their particular application. Product dimensions are nominal only, and should be verified if critical to a particular installation. No warranty is either expressed, implied, or statutory made by Hynds unless expressly stated in any sale and purchase agreement entered into between Hynds and the user.

0800 496 377
hyndsrural.co.nz | rural@hynds.co.nz

HYNDS
RURAL 