



# Ductile Iron Flap Gates

Technical Guide D9.3

Ductile Iron Flap Gates are used for backflow prevention in gravity flow; pump discharge and tidal applications.



## Applications

Flow direction control

Pump discharge

Tidal applications

## Product Attributes

Robust sturdy construction

Wall mounted

Comprehensive size range from  
80–600 mm

## Approvals/Standards

BS1452 - BSEN 1561 - Cast Iron Castings

BS1400 PB2, BS EN 10088-2

BS 7371-8

## Quality

ISO 9001:2008 Quality  
Management Standard

Ductile Iron Flap Gates are a simple, robust, high quality wall or flange mounted non return flap gate suitable for controlling flow direction.

### Standards

Industrial Penstock's ductile iron flap gates are manufactured to demanding standards utilising componentry to European and British Standards.

### Materials

- Frame, flap and hinge brackets: Ductile iron
- Hinge links: Phosphor bronze
- Hinge pins: Grade 316 s/steel to BS 970
- Seating faces: Phosphor bronze machined to close tolerances
- Coatings: Frame and gate coated with high build epoxy
- Size range: 80–600 mm dia
- Flanged body: wall or flange mounted

TABLE 1

Product	Description	A (mm)	B (mm)	C (mm)
VFDI150NP16	Flap gate 150 mm	150	175	285
VFDI200NP16	Flap gate 200 mm	200	195	340
VFDI225NP16	Flap gate 225 mm	225	210	370
VFDI250NP16	Flap gate 250 mm	250	220	400
VFDI300NP16	Flap gate 300 mm	300	240	455
VFDI400NP16	Flap gate 400 mm	400	370	580
VFDI450NP16	Flap gate 450 mm	450	440	640
VFDI500NP16	Flap gate 500 mm	500	465	715
VFDI600NP16	Flap gate 600 mm	600	515	840

**Note:** Also refer to Technical Guide D9.1 Wastop Check Valve System

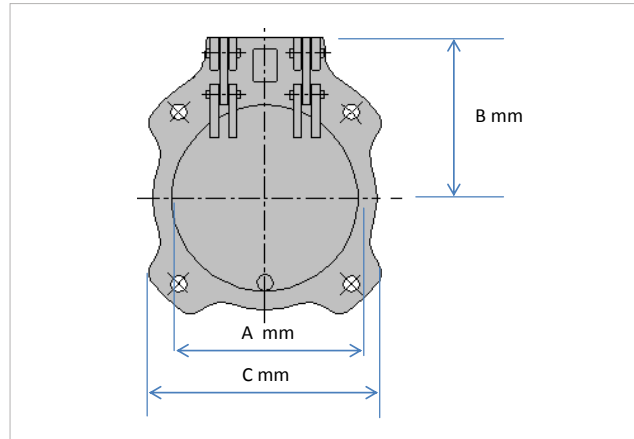


FIG. 1



FIG. 2

Branches Nationwide Support Office & Technical Services 09 274 0316

**Disclaimer:** While every effort has been made to ensure that the information in this document is correct and accurate, users of Hynds product or information within this document must make their own assessment of suitability for their particular application. Product dimensions are nominal only, and should be verified if critical to a particular installation. No warranty is either expressed, implied, or statutory made by Hynds unless expressly stated in any sale and purchase agreement entered into between Hynds and the user.