

# Gillies Underground Fire Hydrants

Technical Guide W6.1

Gillies Fire Hydrants provide long term reliable operation to Water Authorities and Fire Services.



03.22 | W6.1 NZ UNDERGROUND FIRE HYDRANTS

## Applications

Water supply for Fire Service and similar operations

## Product Attributes

Long term reliable operation

Patented AB Thrust Washer

Flow exceeds the requirements of NZS 4522:2010

Minimal maintenance cost

## Approvals/Standards

NZS 4522:2010 (supersedes NZS/BS 750:1984)

AS/NZS 4020:2005 approved for potable water and AS4158 for coatings

## Quality

ISO 9001:2008 Quality Management Systems

*We are the supply partner of choice for New Zealand's civil construction industry, specialising in water and infrastructure based solutions.*

Gillies Fire Hydrants provide long term reliable operation to Water Authorities and Fire Services by combining the use of high quality materials with a proven design.

### Design Specifications

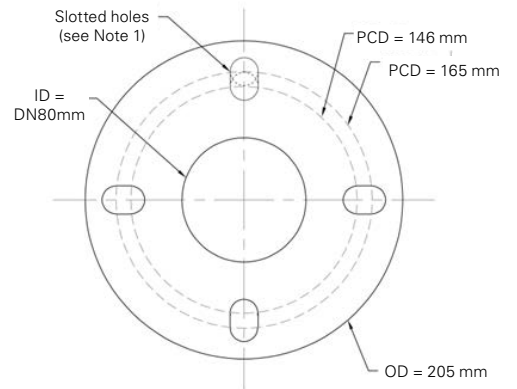
- Hydrants are available in three sizes - squat, medium and tall.
- All hydrants are assembled using 316 stainless steel fasteners.
- All hydrants are supplied with double "O" ring spindle sealing, protected by a dirt seal as standard. The body/bonnet and the body/outlet joints are also sealed using "O" Rings to ensure a long low maintenance life.
- The stopper sealing washer is made from high performance polyurethane – selected and tested for its performance and durability.
- The sealing washer is easily replaced without changing the whole stopper, keeping maintenance costs to a minimum.
- All hydrants are furnished with a 316 stainless steel outlet which has a machined sealing face, and a machine dressed BS round thread – reducing the wear to the female standpipe thread.
- Auto drains are available for all three hydrant types for frost protection.

**TABLE 1 Products Available**

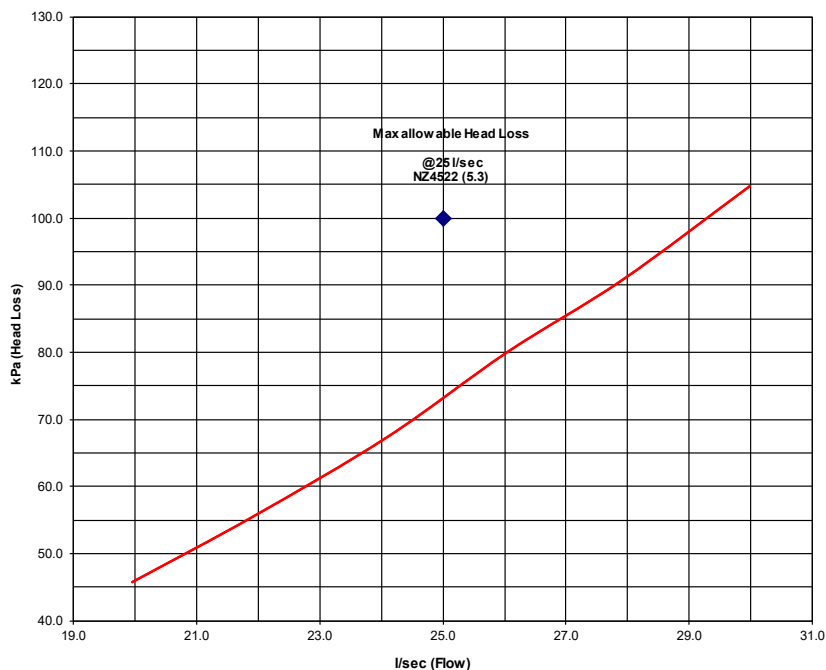
Hynds Code	Description
HSQNZ-C	Gillies Fire Hydrant Squat - without frost plug
HSQFNZ-C	Gillies Fire Hydrant Squat - with frost plug
HMEDNZ-C	Gillies Fire Hydrant Medium - without frost plug
HMEDFNZ-C	Gillies Fire Hydrant Medium - with frost plug
HTALNZ-C	Gillies Fire Hydrant Tall - without frost plug
HTALFNZ-C	Gillies Fire Hydrant Tall - with frost plug

### Hydrant Flange Specifications

- Outside diameter of flange: 205mm
- Diameter of raised face: 122mm
- Inside PCD: 146mm
- Outside PCD: 165mm
- Number of holes: 4
- Diameter of holes: 18mm (slotted)
- Fastener: M16
- Flange Thickness: 20mm
- Holes fit 80mm AS 4087 Fig. B5



### Head Loss Charts



**FIG. 1** Squat Hydrant

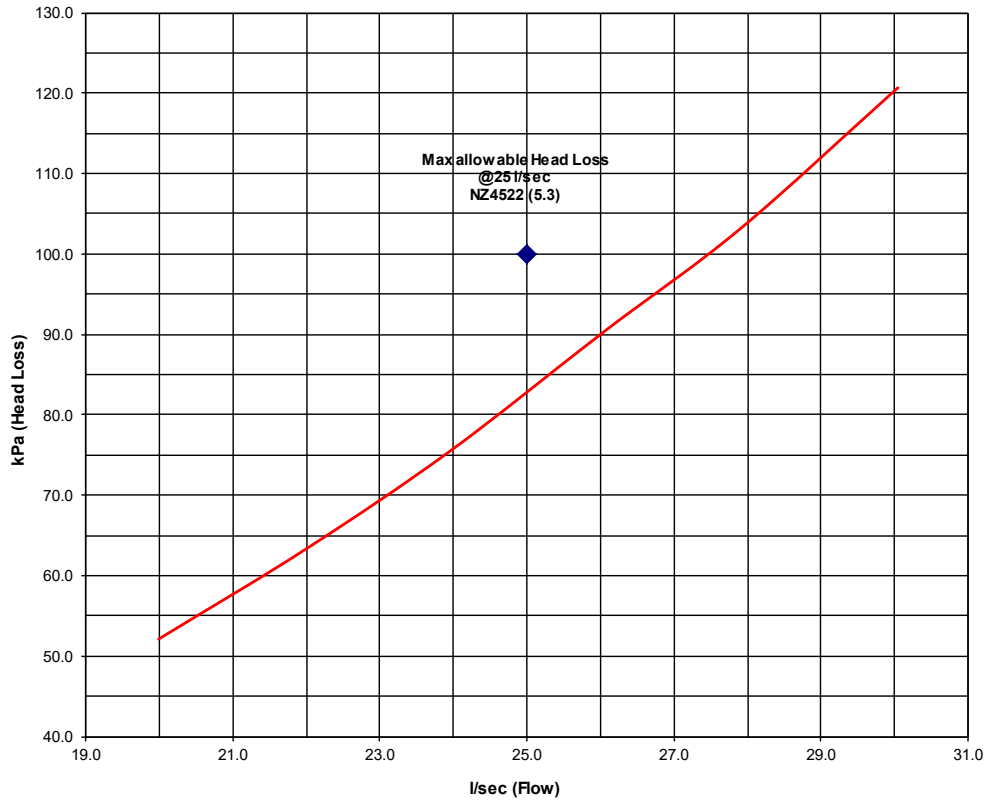


FIG. 2 Medium Hydrant

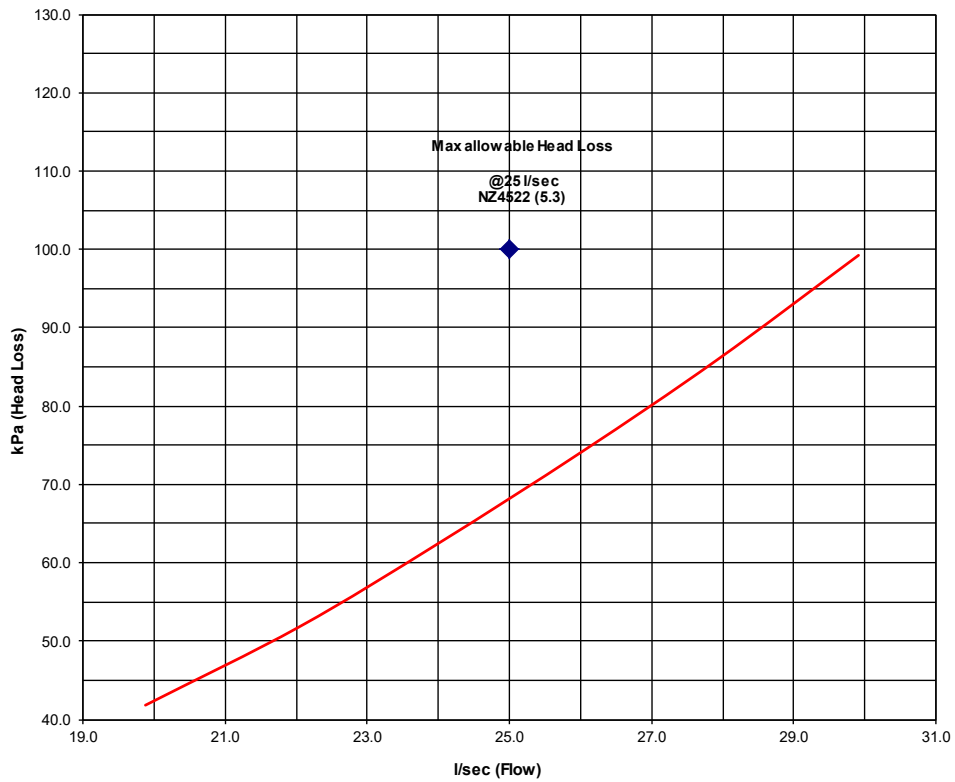


FIG. 3 Tall Hydrant

# Tall Hydrant

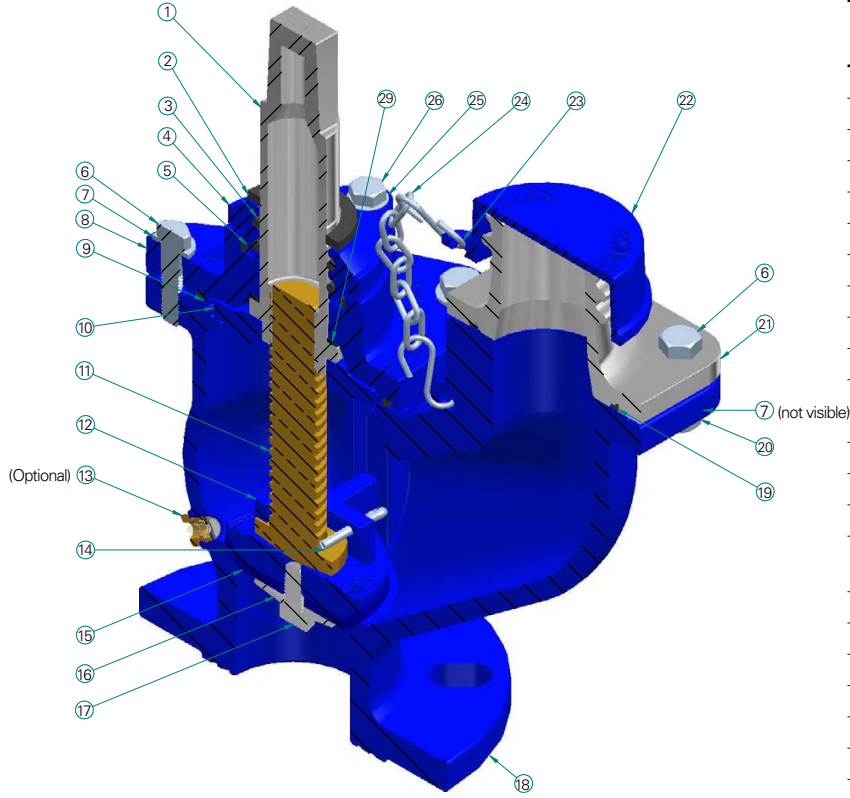


FIG. 4

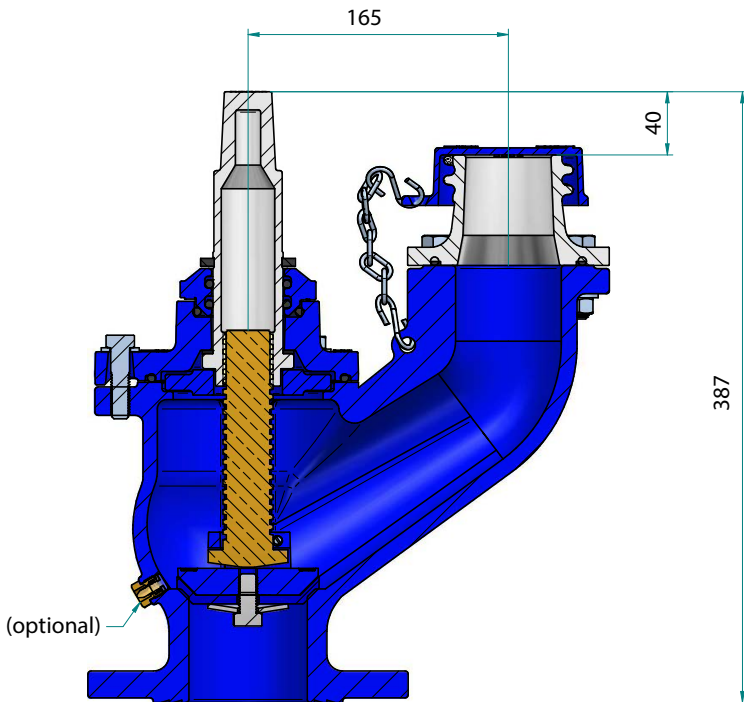


FIG. 5

TABLE 2 TALL HYDRANT PARTS LIST

Part No.	Title	Qty
1	A HYDRANT SPINDLE NUT	1
2	AB DIRT SEAL	1
3	O RING	2
4	AB SEAL HOUSING	1
5	O RING	1
6	BOLT	7
7	WASHER	7
8	AB BONNET	1
9	O RING	1
10	AB HYD BRIDGE	1
11	A HYDRANT SPINDLE	1
12	AB STOPPER	1
13	AUTO DRAIN ASM	1
14	SPLIT PIN	1
15	ABM SEALING WASHER	1
16	ABM STOPPER RETAINING WASHER	1
17	BOLT	1
18	A BODY	1
19	O RING	1
20	NUT M12	4
21	ABM OUTLET	1
22	ABM DUST CAP	1
23	CHAIN HOOK	2
24	CHAIN	1
25	WASHER	2
26	BOLT	2
29	AB THRUST WASHER	1

Part No: example. A-8 AB BONNET

# Squat Hydrant

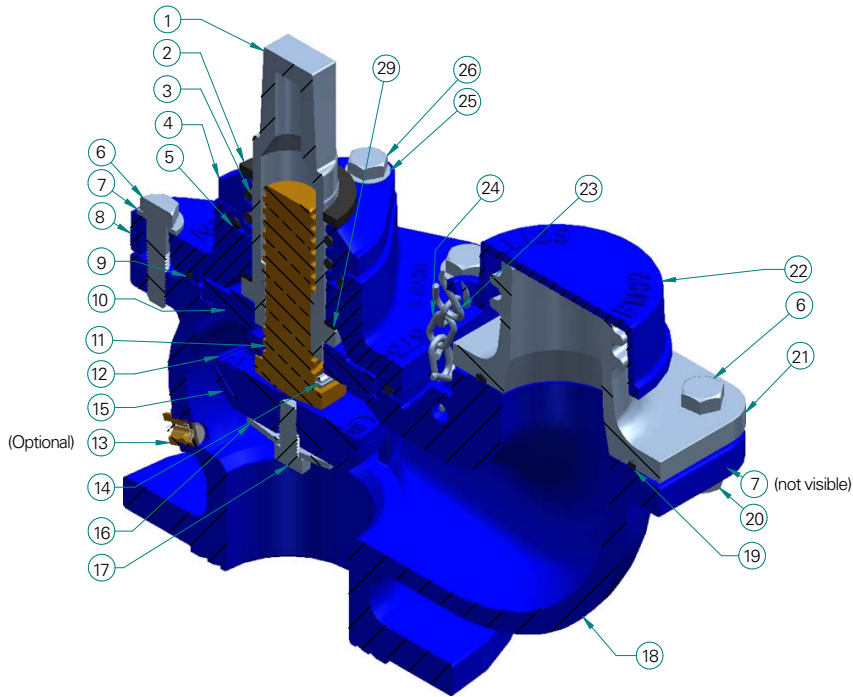


FIG. 6

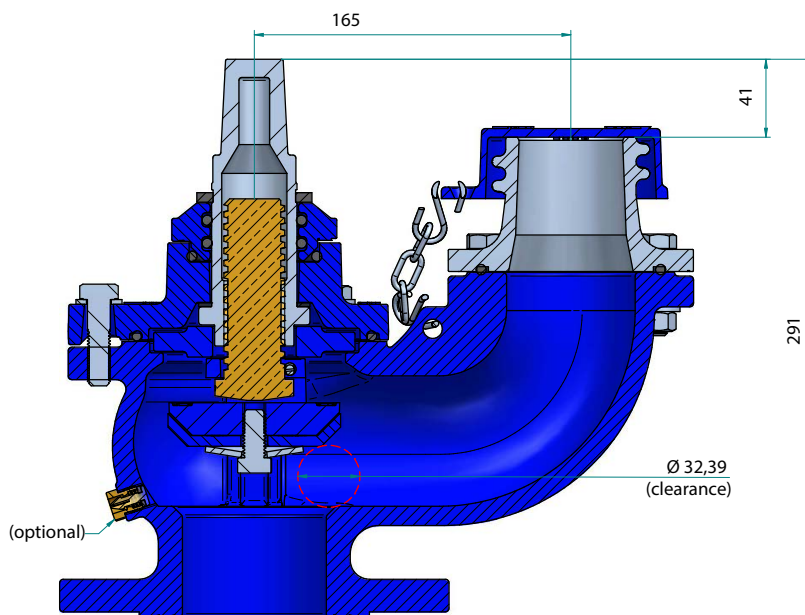


FIG. 7

TABLE 3 SQUAT HYDRANT PARTS LIST

Part No.	Title	Qty
1	B HYDRANT SPINDLE NUT	1
2	AB DIRT SEAL	1
3	O RING	2
4	AB SEAL HOUSING	1
5	O RING	1
6	BOLT	7
7	WASHER	7
8	AB BONNET	1
9	O RING	1
10	AB HYD BRIDGE	1
11	B HYDRANT SPINDLE	1
12	AB STOPPER	1
13	AUTO DRAIN ASM	1
14	SPLIT PIN	1
15	ABM SEALING WASHER	1
16	ABM STOPPER RETAINING WASHER	1
17	BOLT	1
18	B BODY	1
19	O RING	1
20	NUT M12	4
21	ABM OUTLET	1
22	ABM DUST CAP	1
23	CHAIN HOOK	2
24	CHAIN	1
25	WASHER	2
26	BOLT	2
29	AB THRUST WASHER	1

Part No: example. B-8 AB BONNET

# Medium Hydrant

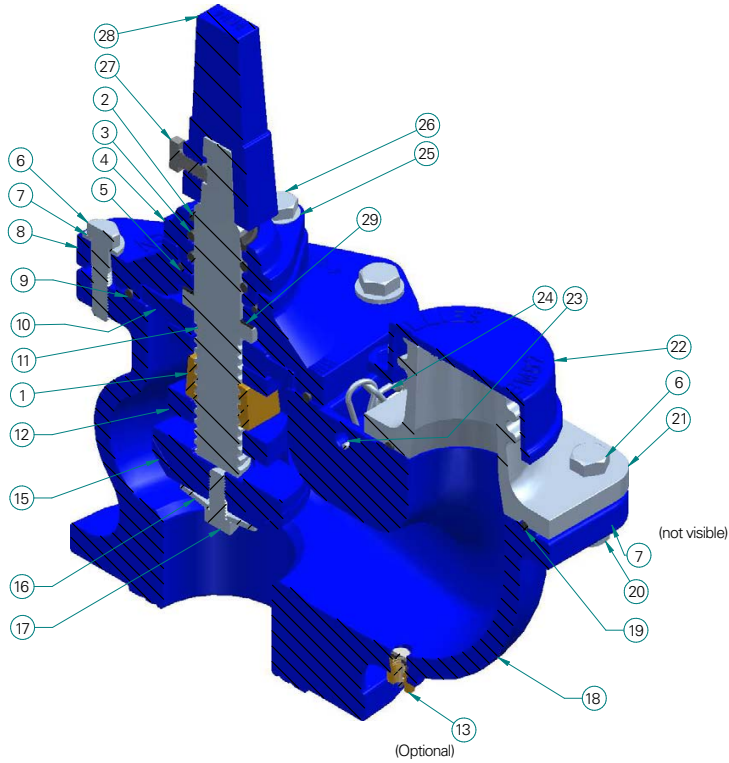


FIG. 8

TABLE 4 MEDIUM HYDRANT PARTS LIST

Part No.	Title	Qty
1	MED SPINDLE NUT	1
2	MED DIRT SEAL	1
3	O RING	2
4	MED SEAL HOUSING	1
5	O RING	1
6	BOLT	7
7	WASHER	7
8	MED BONNET	1
9	O RING	1
10	MED HYD BRIDGE	1
11	MED SPINDLE	1
12	MED STOPPER	1
13	AUTO DRAIN ASM	1
15	ABM SEALING WASHER	1
16	ABM STOPPER RETAINING WASHER	1
17	BOLT	1
18	MED HYD BODY	1
19	O RING	1
20	NUT M12	4
21	ABM OUTLET	1
22	ABM DUST CAP	1
23	CHAIN HOOK	2
24	CHAIN	1
25	WASHER	2
26	BOLT	2
27	SETSCREW	1
28	MED SPINDLE CAP	1
29	MED THRUST WASHER	1

Part No: example. MED-8 MED BONNET

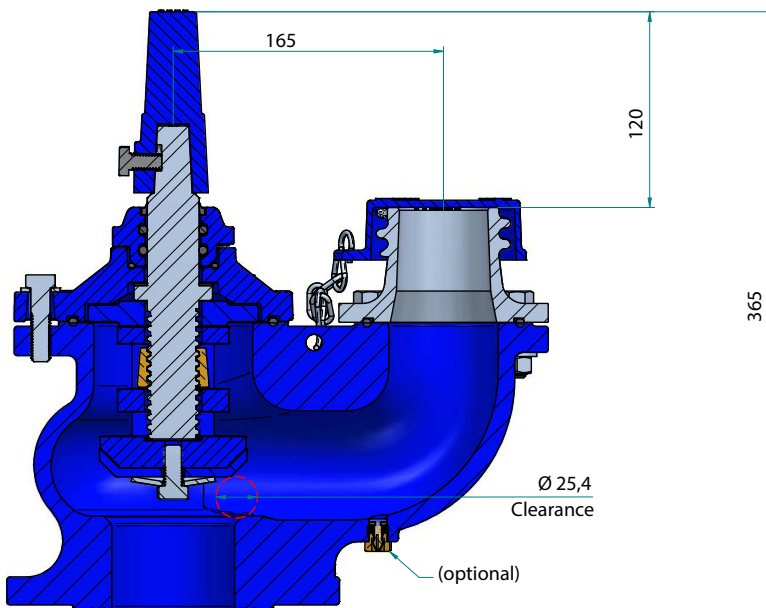


FIG. 9



**Branches Nationwide** *Support Office & Technical Services 0800 93 7473*

**Disclaimer:** While every effort has been made to ensure that the information in this document is correct and accurate, users of Hynds product or information within this document must make their own assessment of suitability for their particular application. Product dimensions are nominal only, and should be verified if critical to a particular installation. No warranty is either expressed, implied, or statutory made by Hynds unless expressly stated in any sale and purchase agreement entered into between Hynds and the user.